

## Installation Guide for Ram 1500 TRX

PNs 60717, 60718/BC



**\*\*\*\*\* Please compare the parts in the box with the bill of materials provided \*\*\*\*\*  
to assure that you have all the parts necessary for this installation.**

These instructions have been written to help you with the installation of your Borla Performance exhaust system. Please read this document completely before beginning the installation of your system.

To ensure this part number fits your specific model year, please visit our website for the latest model year listings at [www.BORLA.com](http://www.BORLA.com)

Thank you for purchasing a Borla Performance exhaust system.

Borla Performance Connecting Pipes™ exhaust system PN 60717 is designed for the Ram 1500 TRX equipped with a 6.2L V8 supercharged engine and 4WD automatic transmission.

Borla Performance optional tips PN 60718/BC are designed to replace OE exhaust tips.

Borla Performance Industries recommends that an exhaust shop or professional after market parts installer, who has all the necessary equipment, tools and experienced personnel needed for proper installation, should perform the installation of this system. However, if you decide to perform the installation, we recommend someone should help you. Ensure the installer uses all under car safety precautions including eye protection.

*Please take time to read and understand the following...*

By installing your Borla Performance exhaust system, you indicate that you have read this document and you agree with the terms stated below.

It is the responsibility of the purchaser to follow all installation instruction guidelines and safety procedures supplied with your Borla Performance exhaust system.

Borla Performance Industries assumes no responsibility for damages occurring from misuse, abuse, improper installation, improper operation, lack of responsible care, or all previously stated reasons resulting from incompatibility with other manufacturer's products and/or systems.

Included with your Borla Performance exhaust system is a warranty card. Please read it carefully before you begin any work on your vehicle. If you should have any questions regarding our warranty policy, installation, or any other matter pertaining to your new Borla Performance exhaust system, please give us a call at the number provided on the warranty card.

**Minimum Required Tool List:**

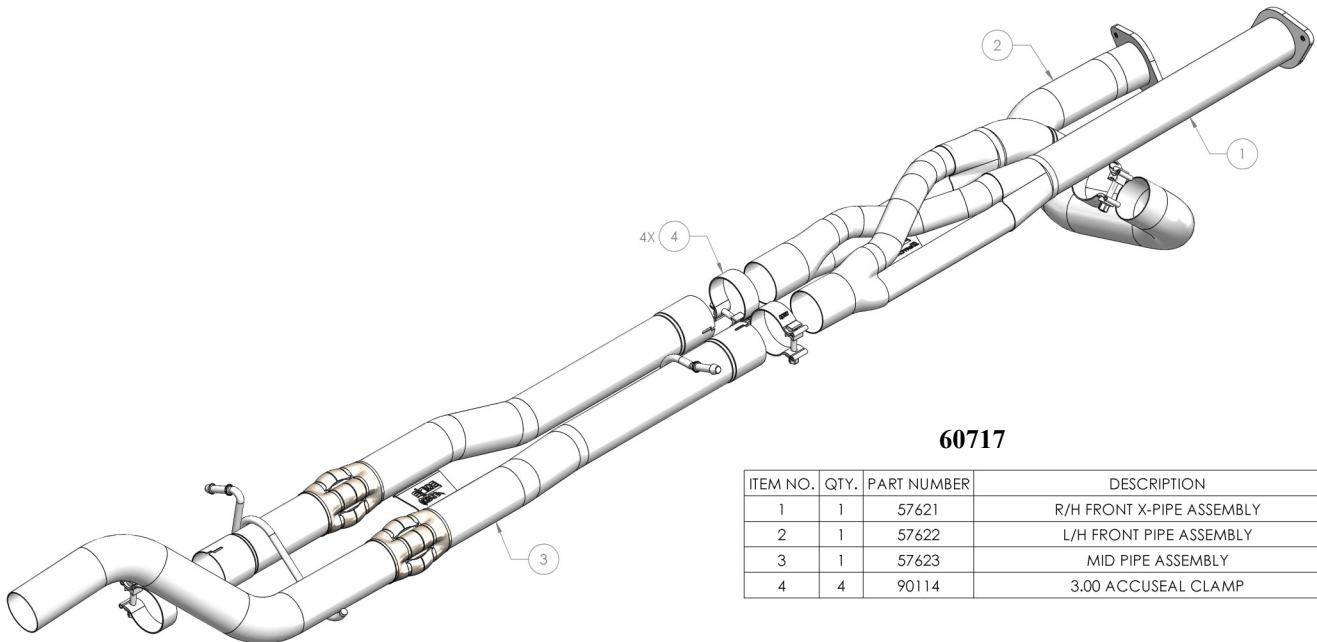
**TOOLS:**

1. 3/8” drive ratchet
2. 3/8” drive extension 6”
3. 13mm socket
4. 15mm deep well socket
5. Pry bar
6. Reciprocating Saw with metal cutting blade
7. Tape Measure

**SHOP SUPPLIES:**

1. Spray lubricant

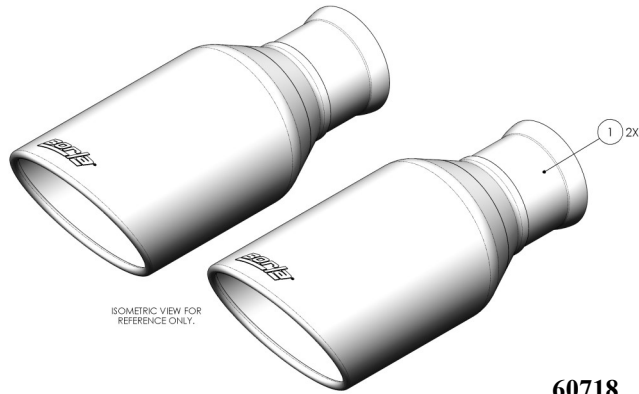
**Borla Performance - Bill of Materials**



**60717**

ITEM NO.	QTY.	PART NUMBER	DESCRIPTION
1	1	57621	R/H FRONT X-PIPE ASSEMBLY
2	1	57622	L/H FRONT PIPE ASSEMBLY
3	1	57623	MID PIPE ASSEMBLY
4	4	90114	3.00 ACCUSEAL CLAMP

**Borla Performance - Bill of Materials**



**60718**

ITEM NO.	PART NUMBER	DESCRIPTION	QTY.
1	57674	CLAMP ON EXHAUST TIP	2



**60718BC**

ITEM NO.	PART NUMBER	DESCRIPTION	QTY.
1	57674BC	CLAMP ON EXHAUST TIP	2

**Caution!!!** *Never work on a hot exhaust system. Serious injury in the form of burns can result if the vehicle has been in use and the exhaust system is hot, allow vehicle to cool for at least 1 hour. Always wear eye protection when working under any vehicle.*

*Note: It is our recommendation that you use a hoist or hydraulic lift to facilitate the installation of your new Borla Performance Exhaust System.*

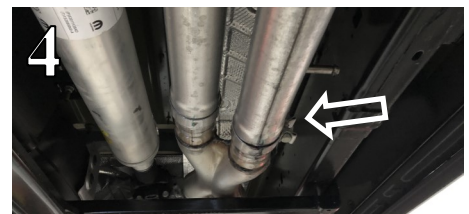
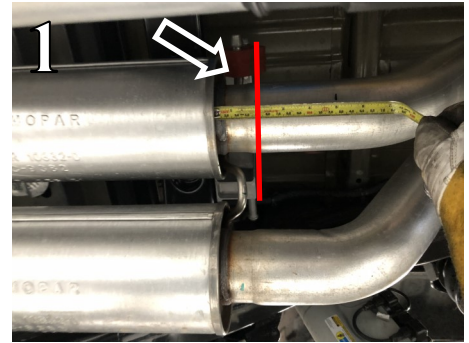
*Taking all under car safety precautions, lift the vehicle using a hoist or hydraulic lift. Once this has been done, you may begin the removal of your old exhaust system from your vehicle.*

*Note: Before removing the original exhaust system from your vehicle, please compare the parts you have received with the bill of materials provided on the previous page to assure that you have all the parts necessary for the installation of your new Borla Performance Exhaust System.*

*Note: With a used vehicle, we suggest a penetrating spray lubricant to be applied liberally to all exhaust fasteners and allowing a significant period of time for the chemical to lubricate the threads before attempting to disassemble.*

## Original Exhaust System Removal

1. Lubricate all hangers, rubber isolators, bolts and nuts.
2. Make a mark and cut with a reciprocating saw 2" behind the driver side muffler (Fig. 1) .
3. Using a flathead screwdriver or a prybar, remove the driver side tailpipe assembly hanger from the rubber isolator and remove the tailpipe assembly by rotating counterclockwise and lowering the tip first (Fig. 2).
4. Loosen clamp after passenger side muffler. Using a flathead screwdriver or a prybar, remove the passenger side tailpipe assembly hanger from the rubber isolator (Fig. 3).
5. Loosen both clamps on the muffler assembly leading toward the x-pipe. Using a flathead screwdriver or a prybar, remove the 2 muffler assembly hangers from their rubber isolators (Figs. 4-5).
6. There is a grounding strap that is connected to the front hanger of the muffler assembly (Fig. 4, white arrow). Unclip strap and save for installation.
7. To separate muffler assembly from front y-pipe you will need to slide the assembly toward the rear of the vehicle. Once detached, the end with the clamps will need to be tipped down toward the front of the vehicle (Fig. 5).



**Caution!!!** *Never work on a hot exhaust system. Serious injury in the form of burns can result if the vehicle has been in use and the exhaust system is hot, allow vehicle to cool for at least 1 hour. Always wear eye protection when working under any vehicle.*

**Note:** *It is our recommendation that you use a hoist or hydraulic lift to facilitate the installation of your new Borla Performance Exhaust System.*

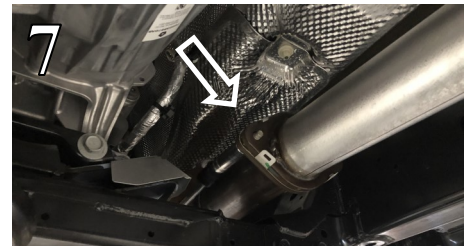
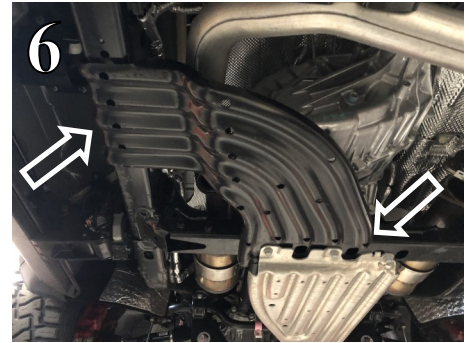
**Taking all under car safety precautions, lift the vehicle using a hoist or hydraulic lift. Once this has been done, you may begin the removal of your old exhaust system from your vehicle.**

**Note:** *Before removing the original exhaust system from your vehicle, please compare the parts you have received with the bill of materials provided on the previous page to assure that you have all the parts necessary for the installation of your new Borla Performance Exhaust System.*

**Note:** *With a used vehicle, we suggest a penetrating spray lubricant to be applied liberally to all exhaust fasteners and allowing a significant period of time for the chemical to lubricate the threads before attempting to disassemble.*

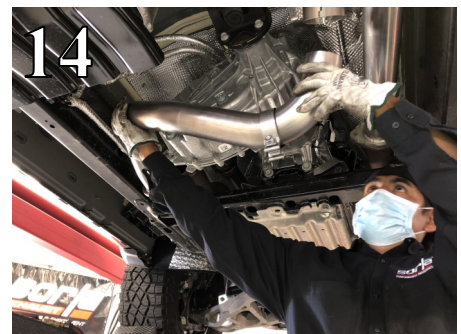
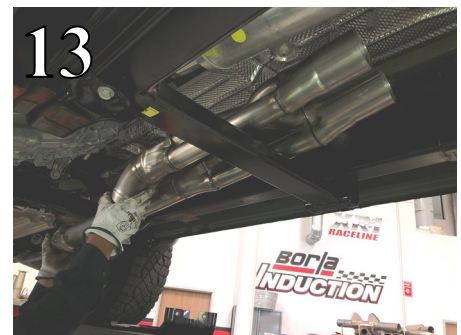
## Original Exhaust System Removal

8. Remove the five bolts (two on the side, three on the bottom) attaching the black section of the factory skidplate to vehicle (Fig. 6). Save stock hardware for installation.
9. Remove the four bolts attaching the flanges of the front exhaust pipe assembly to the vehicle (Fig. 7). Save stock hardware for installation.
10. Remove the front exhaust pipe assembly from the vehicle by sliding it away from the front of the vehicle and angle the flange side down (Fig. 8).
11. Remove the gaskets from the flanges (Fig. 9). Save stock hardware for installation.
12. Original exhaust system removed (Fig. 10).



## Borla Performance Connecting Pipes™ Exhaust System Installation

13. Orient components on shop floor according to Borla bill of materials drawing on page 2 (Fig. 11).
14. Install gaskets that were removed from the stock system onto flanges of **R/H Front X-Pipe Assembly** and **L/H Front Pipe Assembly** (Fig. 12).
15. Install **R/H Front X-Pipe Assembly** by sliding the rear of it up and over the brace under the vehicle and reuse the original hardware (Fig. 13). Lightly tighten the hardware.
16. Place clamp on **L/H Front Pipe Assembly**. Slide the end of the assembly into the expanded side of the **R/H Front X-Pipe Assembly** and place clamp over the expansion (Figs. 14-15). Install the original hardware on the flange side. Do not tighten the hardware or clamp.

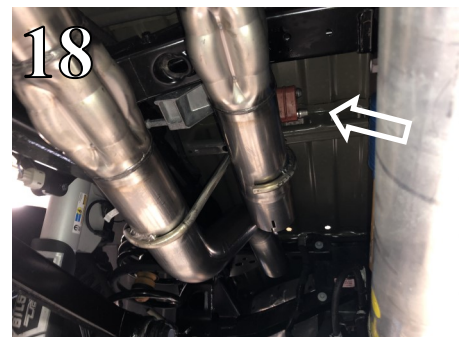
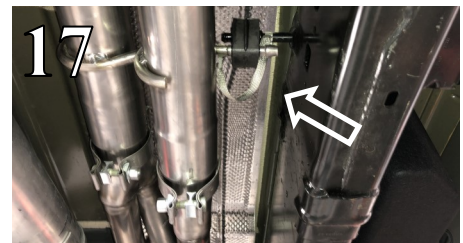


**WARNING:** Use extreme caution during installation. Torque all fasteners according to manufacturer's torque values and tightening sequence. **DO NOT** use air impact tools to tighten fasteners on Borla Performance Exhaust Systems. Use of such tools may result in bent flanges or gasket contact areas leading to exhaust leaks.

**NOTE:** When you first start your vehicle after the installation of your new Borla Performance Exhaust System, there may be some smoke and fumes coming from the system. This is a protective oil based coating used in the manufacturing of mandrel bent performance exhaust tubing. This is not a problem and will disappear within a very short period of time after the exhaust has reached normal operating temperatures.

## Borla Performance Connecting Pipes™ Exhaust System Installation

17. Place a clamp over each of the two expanded ends on the **Mid Pipe Assembly** and insert the inlets over the outlets of the **R/H Front X-Pipe Assembly** (Fig. 16). Do not tighten the clamps.
18. Insert the two hangers into their original rubber isolators (Figs. 17-18).
19. Reconnect the grounding strap onto the front hanger of the **Mid Pipe Assembly** (Fig. 17).
20. Place clamp over the expanded end on the rear-facing driver's side of the **Mid Pipe Assembly**. Feed driver's side tail pipe assembly up and over axle and insert into the expanded end of the **Mid Pipe Assembly**. Insert the hanger into the original rubber isolator (Fig. 19). Do not tighten the clamp.



**WARNING:** Use extreme caution during installation. Torque all fasteners according to manufacturer's torque values and tightening sequence. **DO NOT** use air impact tools to tighten fasteners on Borla Performance Exhaust Systems. Use of such tools may result in bent flanges or gasket contact areas leading to exhaust leaks.

**NOTE:** When you first start your vehicle after the installation of your new Borla Performance Exhaust System, there may be some smoke and fumes coming from the system. This is a protective oil based coating used in the manufacturing of mandrel bent performance exhaust tubing. This is not a problem and will disappear within a very short period of time after the exhaust has reached normal operating temperatures.

## Borla Performance Connecting Pipes™ Exhaust System Installation

21. Place original clamp over the expanded end of the passenger side rear tailpipe assembly and feed it up and over the axle and insert it over the outlet of the **Mid Pipe Assembly**. Insert the hanger into the original rubber isolator (Fig. 20). Do not tighten the clamp.
22. Once position has been determined to be correct, tighten the Accuseal clamps to 32-35 ft. lbs. and tighten the original hardware (Fig. 24).
23. If you purchased the optional tips (PN 60718/BC), remove the original tips by loosening their clamps and remove the tip from the vehicle. Install **Tip Assembly** by mating the surface to the end of the tailpipe assemblies and reinstalling the original clamp. Check for alignment before tightening clamps (Figs. 21-23).
24. Before starting your vehicle, make sure to check all wires, hoses, brake lines, body parts and tires for safe clearance from the exhaust system.
25. Start the vehicle and check for any leaks. If any leaks are found, determine cause (such as loose fitting on the flange) and repair as necessary.



**WARNING:** Use extreme caution during installation. Torque all fasteners according to manufacturer's torque values and tightening sequence. **DO NOT** use air impact tools to tighten fasteners on Borla Performance Exhaust Systems. Use of such tools may result in bent flanges or gasket contact areas leading to exhaust leaks.

**NOTE:** When you first start your vehicle after the installation of your new Borla Performance Exhaust System, there may be some smoke and fumes coming from the system. This is a protective oil based coating used in the manufacturing of mandrel bent performance exhaust tubing. This is not a problem and will disappear within a very short period of time after the exhaust has reached normal operating temperatures.